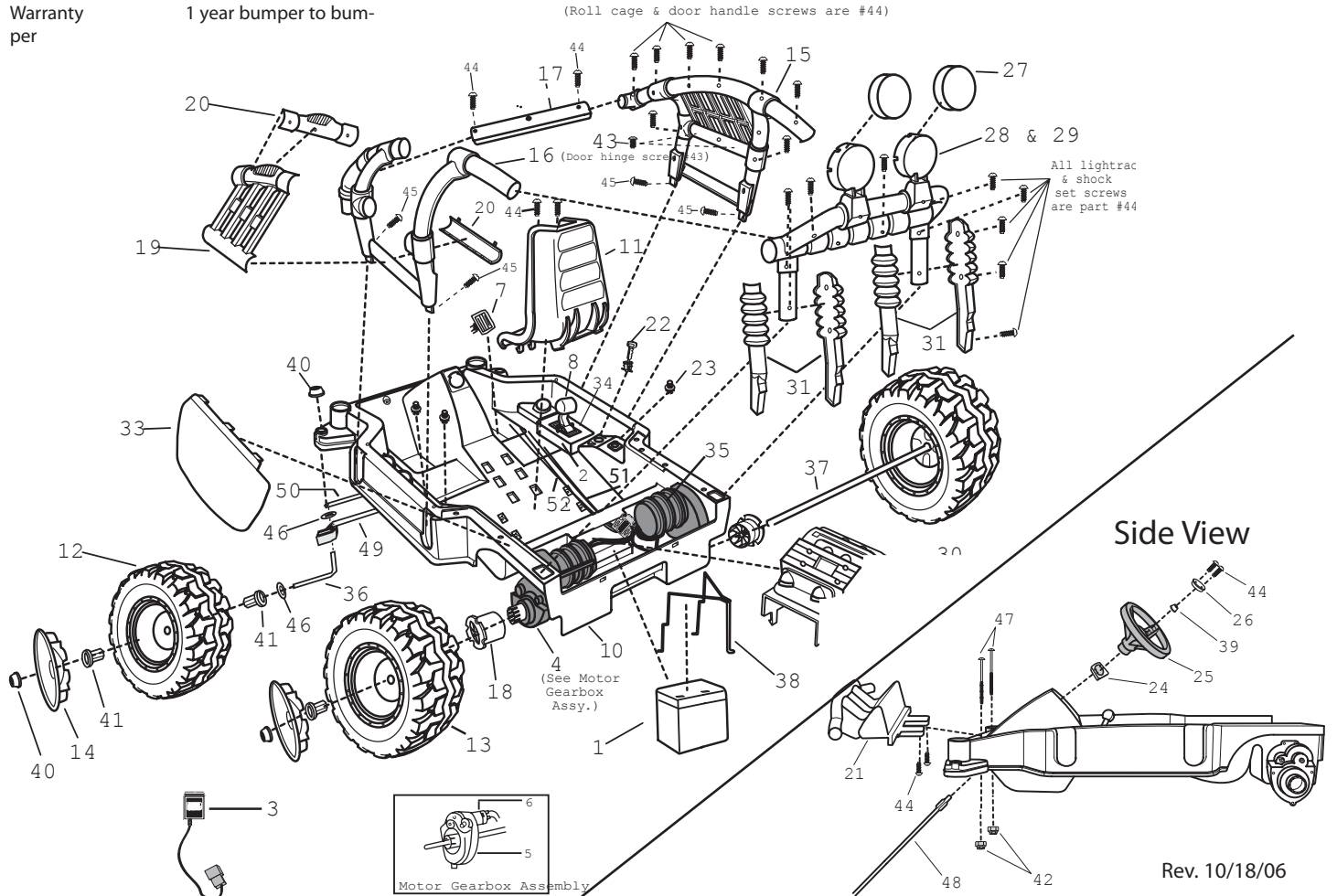


Age Range: 3-7 Yrs.  
 Weight Limit: 65 Lbs.  
 Surfaces: Hard surface and Grass  
 Speed: Forward 2.5 & 5.0 MPH  
 Reverse 2.5 MPH  
 Colors: Silver Body  
 Red & Black Roll Cage  
 Black Tires  
 Intro: 2000  
 Suggested Retail: \$229.99  
 Box Dimensions: 38.75" x 21" x 24.6"  
 In-Box Weight: 58.8 Lbs.  
 Warranty: 1 year bumper to bumper

# 73180-9993

## Eliminator

Advanced Series 12 Volt



Rev. 10/18/06

Item No.	Description	Part No.	Qty.	Item No.	Description	Part No.	Qty.	Item No.	Description	Part No.	Qty.
<b>Working / Electrical Parts</b>											
1	Battery 12V	00801-0638	1	27	Light Cover Order Chrome Parts Bag			52	Channel Cover (Front)	73180-2279	1
<b>2</b>	<b>Switch Singalux (rocker type) (Shifter)</b>	<b>00801-0923</b>	<b>2</b>	28	Light Rack front and rear	73180-9189	1	<b>Parts Not Shown</b>			
3	12 Volt Probe Charger	00801-0972	1	30	Decorative Engine	4000-0285	1	Owner's Manual	73180-0920	1	
<b>4</b>	<b>#7 Motor GearBox Assy.</b>	<b>00968-2910</b>	<b>2</b>	31	Shock Set (left and right)	73180-951A	1	<del>Large Parts Bag molded pts</del>			
<b>5</b>	<b>#7 Gearbox</b>	<b>74310-9529</b>	<b>2</b>	33	Fender Set	73180-9029	1	N/A	731809039	1	
<b>6</b>	<b>Motor w/Pinion</b>	<b>00968-2701</b>	<b>2</b>	34	Shifter Cover	73180-2299	1	Chrome Parts Bag	73180-9249	1	
7	Footboard Assembly	73180-9389	1	35	Motor Cover (Hi-Eff)	74750-2359	2	<del>Small Parts Bag (purch parts N/A)</del>			
8	Shifter Assembly	74310-9239	1	<b>Hardware</b>							
<b>Plastic Parts</b>											
10	Vehicle Body (N/A)	73180-2109	1	36	Front Axle	74790-4509	2	Decal Sheet	73180-0310	1	
11	Seat	74790-2309	1	37	Rear Axle (length 32")	N/A 74790-4519	1	<b>Footswitch (Plunger type N/A)</b>	<b>00801-0933</b>	<b>1</b>	
12	Front Wheel	74790-2469	2	38	Battery Retainer	74790-4019	1	Mylar Black Decal Sheet	73180-0320	1	
13	Rear Wheel	74790-2459	2	39	.354 Cap Nut (Black)	0801-0604	1	Hardware	73180-9279	1	
14	Hubcap Order Chrome Parts Bag			40	.437 Cap Nut (Black)	0801-0226	6	Pw Emblem	74460-9069	1	
15	Rollcage / Right	73180-9069	1	41	Hex Bushing	73233-2559	6	<b>Wiring Harness</b>	<b>74790-9699</b>	<b>1</b>	
16	Rollcage / Left	73180-9049	1	42	1/4" Nyloc Nut	Order Hardware bag					
17	Sound Bar	73180-9449	1	43	#8 x 1/2" Screw	0801-0202	2				
18	Wheel Driver, 10 rib	74460-2249	2	44	#8 x 3/4" Screw	0801-0223	10				
19	Door Order Chrome Parts Bag			(10 of the 3/4" Screws are factory assembled)							
20	Door Handle / Hinge Set	73180-2999	1	45	#8 x 3/4	0405-2073	40				
21	Brushguard	73180-2129	1	46	#8 x 1-1/2" Plascrew	0801-0308	4				
22	Key Housing (N/A)	74460-9369	1	47	7/16" Washer	0801-0196	4				
23	Dash Knob	74460-2199	3	48	1/4"-20 x 2-3/4" Bolt			Available in Hardware bag			
24	Steering Wheel Collar/Stop	73180-2339	1	49	Steering Column	74790-4239	1				
25	Steering Wheel	73180-2319	1	50	Steering Linkage	74790-9219	1				
26	Steering Wheel Button/Cap	73180-2329	1	51	Channel Cover (Rear)	74790-4229	1				

N/A = Not Available **Bold and Underlined parts are to be purchased and installed by Service Centers only. These items may not be sold directly to consumers by Service Centers or Fisher-Price.**

